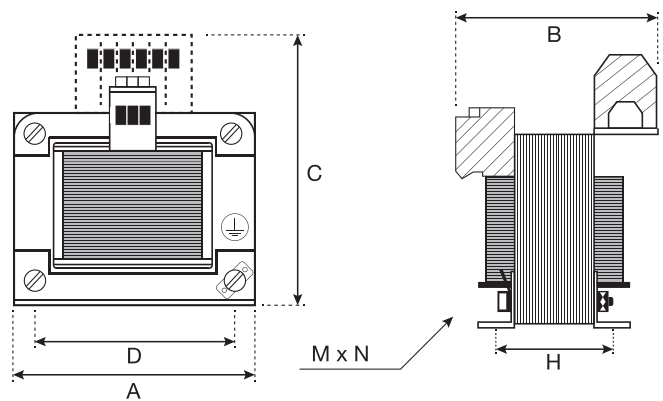
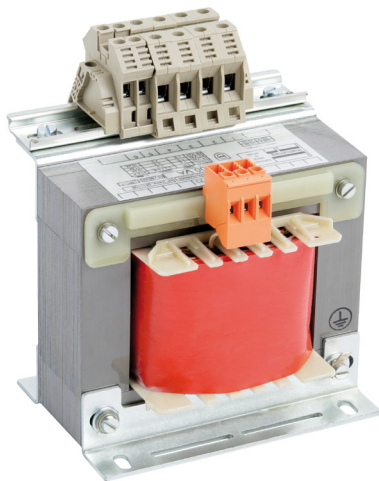


# TRANSFORMADORES DE AISLAMIENTO MONOFÁSICOS

## SINGLE-PHASE ISOLATION TRANSFORMERS

**TSC SERIES | 220V / 380V / 440V / 460V / 480V - 110V / 220Vac**



PRIMARY VOLTAGE: 220 / 380 / 440 / 460 / 480Vac  
 SECONDARY VOLTAGE: 110 / 220Vac  
 STANDARD: ACCORDING TO EN-61558-2-4  
 ISOLATION CLASS: T40/B  
 DIELECTRIC STRENGTH: 4800V (between primary and secondary)  
 2400V (between primary and mass)  
 PROTECTION DEGREE: IP00  
 PROTECTION CLASS: I  
 FREQUENCIES: 50 / 60Hz  
 CONNECTION: SCREW FASTON TERMINALS  
 FIXING SYSTEM: THROUGH ANGLES DIN 41307  
 WINDING: ENAMELLED COPPER WIRE CLASS H SEPARATED  
 PRIMARY AND SECONDARY (galvanic separation)

Isolation transformers are intended to supply electric devices where a circuit separation is required. Protected against humidity by means of resin impregnation.

TENSIÓN PRIMARIO: 220 / 380 / 440 / 460 / 480Vac  
 TENSIÓN SECUNDARIO: 110 / 220Vac  
 NORMATIVA: CONFORME A EN-61558-2-4  
 CLASE DE AISLAMIENTO: T40/B  
 RIGIDEZ DIELÉCTRICA: 4800V (entre primario y secundario)  
 2400V (entre primario y masa)  
 GRADO DE PROTECCIÓN: IP00  
 CLASE DE PROTECCIÓN: I  
 FRECUENCIAS: 50 / 60 Hz  
 CONEXIÓN: BORNAS DE TORNILLO/FASTON  
 SISTEMA DE FIJACIÓN: MEDIANTE ÁNGULOS DIN 41307  
 BOBINADO: EN HILO DE COBRE CLASE H. PRIMARIO Y SECUNDARIO SEPARADO (separación galvánica)

Los transformadores de aislamiento están destinados a alimentar dispositivos eléctricos que necesiten una separación de circuito. Están protegidos contra la humedad mediante impregnación de resina.

| Power   Potencia<br>(VA) | Code   Código | Dimensions   Dimensiones (mm) |     |     |     |     |        | Net weight   Peso neto<br>(kg) | Packing<br>Embalaje |
|--------------------------|---------------|-------------------------------|-----|-----|-----|-----|--------|--------------------------------|---------------------|
|                          |               | A                             | B   | C   | D   | H   | MxN    |                                |                     |
| 40                       | TSC50402200   | 84                            | 90  | 100 | 64  | 52  | 9x4,8  | 1,3                            | 12                  |
| 63                       | TSC50632200   | 84                            | 100 | 100 | 64  | 57  | 11x5,8 | 1,7                            | 12                  |
| 100                      | TSC51102200   | 96                            | 104 | 100 | 84  | 60  | 11x5,8 | 2,2                            | 8                   |
| 160                      | TSC51162200   | 96                            | 104 | 108 | 84  | 64  | 11x5,8 | 2,6                            | 8                   |
| 200                      | TSC51202200   | 96                            | 114 | 105 | 84  | 74  | 11x5,8 | 3                              | 8                   |
| 250                      | TSC51252200   | 108                           | 114 | 115 | 84  | 73  | 11x5,8 | 3,9                            | 8                   |
| 315                      | TSC51322200   | 120                           | 114 | 120 | 90  | 78  | 11x5,8 | 4,8                            | 4                   |
| 400                      | TSC51402200   | 120                           | 125 | 120 | 90  | 90  | 11x5,8 | 5,5                            | 4                   |
| 500                      | TSC51502200   | 120                           | 135 | 120 | 90  | 100 | 11x5,8 | 6,5                            | 4                   |
| 630                      | TSC51632200   | 150                           | 114 | 143 | 122 | 85  | 13x7   | 7,6                            | 2                   |
| 800                      | TSC51802200   | 150                           | 115 | 145 | 122 | 85  | 13x7   | 7,9                            | 2                   |
| 1000                     | TSC52102200   | 150                           | 145 | 145 | 122 | 113 | 13x7   | 11,3                           | 2                   |
| 1600                     | TSC52162200   | 150                           | 165 | 145 | 122 | 133 | 13x7   | 14,1                           | 2                   |
| 2000                     | TSC52202200   | 195                           | 145 | 177 | 150 | 110 | 18x10  | 17,4                           | 1                   |
| 2500                     | TSC52252200   | 195                           | 155 | 177 | 150 | 124 | 18x10  | 20,2                           | 1                   |
| 3000                     | TSC52302200   | 195                           | 175 | 177 | 150 | 144 | 18x10  | 24,6                           | 1                   |
| 5000                     | TSC52502200   | 240                           | 185 | 250 | 200 | 120 | 26x11  | 30                             | 1                   |

\* Any other powers and voltages available on request | \* Otras potencias y tensiones bajo demanda